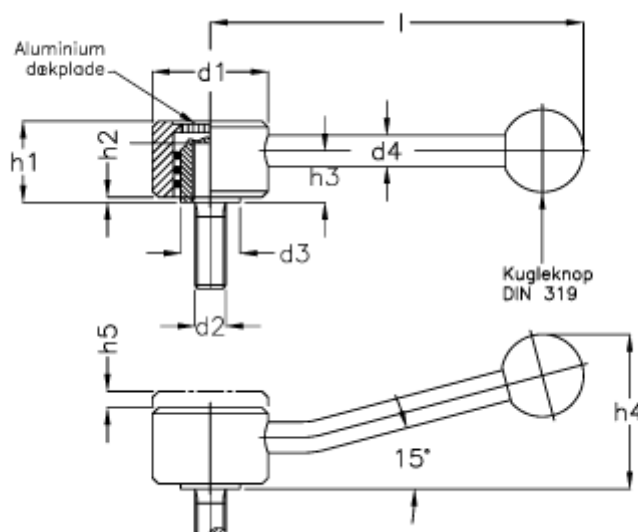


Article number: 204987731

Description: E+G Flat adjustable tension lever stainless
GN125.5-45-M16-50-E

Measures



d1 = 45	h5 = 5.0
d2 = M16	l1 = 32
d3 = 23.0	
d4 = 12	
h1 = 31.5	
h2 = 2.0	
h3 = 20.0	
h4 = 60	